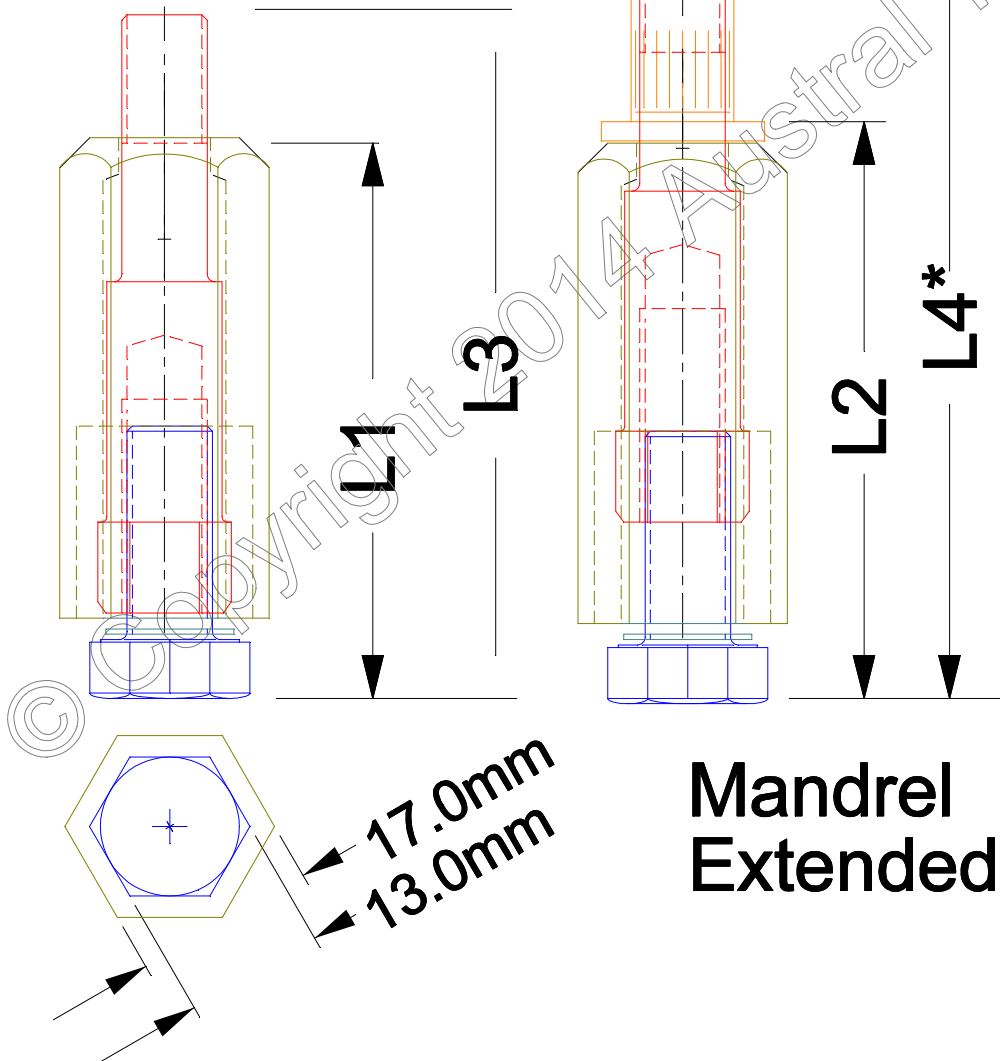


# MiniSert Clearance Dimensions

Mandrel Retracted



© 2014 Austral Tools

Variable Dimensions +/- 1mm

Size	L1	L2	L3	L4*
M4	55.0	56.0	59.0	68.0
M5	54.0	55.0	60.0	69.0
M6	53.0	54.0	63.0	72.0
M8	52.0	53.5	64.5	73.5
M10	50.5	52.5	67.5	76.5

\* Can be decreased to match length of rivnut  
 Provided adequate set screw length remains free to set rivnut !!

Mandrel Extended